



# 1.5" Smart Valve Cut Sheet

## Materials

- Stainless Steel
- Acetron GP
- FDA approved internal o-rings

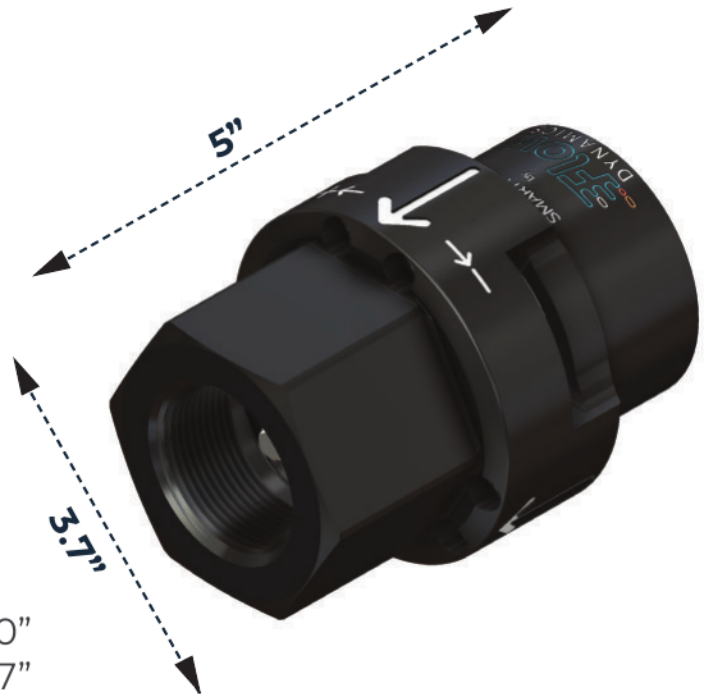
## Certifications

- NSF 61 (potable water)
- NSF 372 (lead free)
- Certifying laboratory: IAPMO R&T

## Installation Dimensions

### 1.5" SMART VALVE:

- |                   |                 |
|-------------------|-----------------|
| • Body Length     | 5.10"           |
| • Body O.D.       | 3.7"            |
| • Thread          | 1.5" Female NPT |
| • Body Hex Size   | 2 3/4"          |
| • Shipping Weight | 2 lbs           |



For best results install the Smart Valve downstream of water meter and backflow preventer (if present), but before any other valves or equipment such as a pressure reducer or booster pump. Where possible it is recommended (but not critical) to have 10 diameters of straight pipe before and after the valve. All threaded installations require pipe tape.

**IMPORTANT:** If the pipe the Smart Valve is being installed in is used as a Ground Fault Line, The Smart Valve will NOT conduct a current through the pipe without a grounding strap. As a precaution, ALWAYS use a ground strap across the valve from pipe to pipe.