

ShowerStart® Express Tub and Shower System

Add Your Own Showerhead

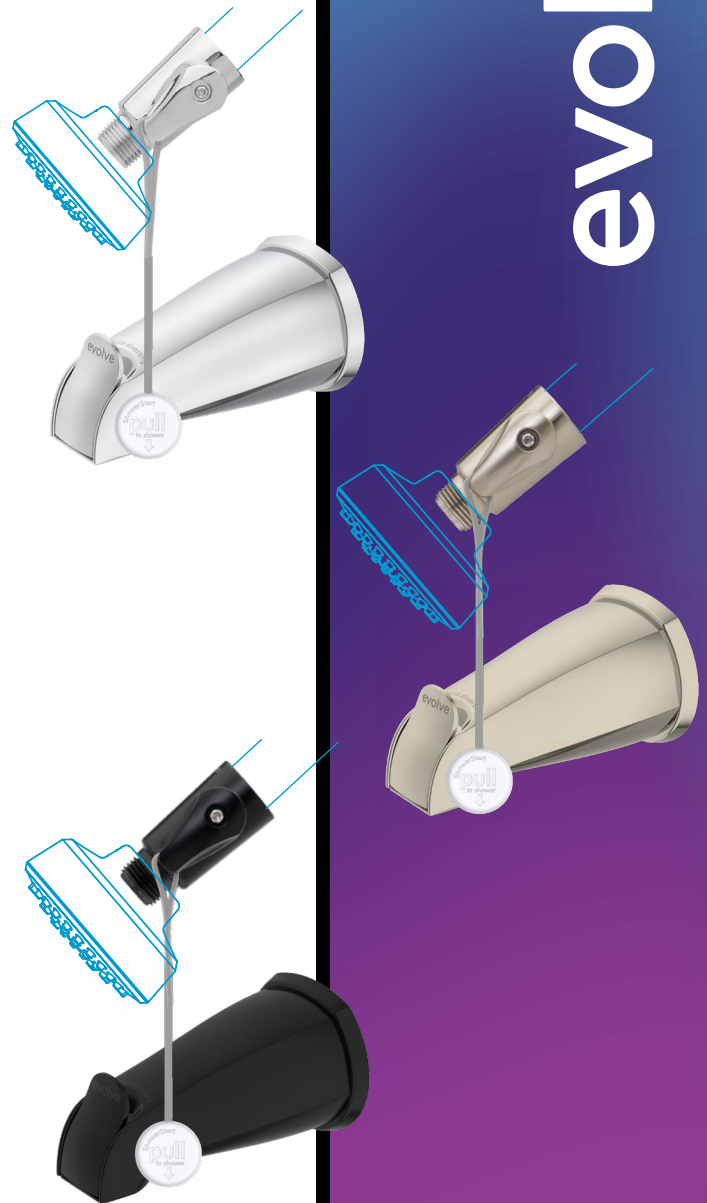
EV3302

OVERVIEW

Preheat your shower up to 3X faster and save up to 11 gallons per shower by installing this innovative, thermostatic tub spout and valve in your tub/shower combination bathroom; just add your own showerhead. It works by performing a high-speed purge of the shower's initial cold water through the tub spout, automatically redirecting hot water to the showerhead once it arrives, and then thermostatically sealing off the tub spout to prevent leaks. When you're ready to shower, pull the cord to start the flow from the showerhead. Users enjoy a seamless, efficient showering experience—no more hanging round to push, pull, or twist a tub spout diverter once hot water arrives or experiencing wasteful tub spout diverter leaks while showering.

FEATURES

- Fast Hot Water**
 Speeds hot water delivery so your shower gets warm up to 3X faster.
- Warm-Up Waste Savings**
 Automatically reduces water flow when hot water arrives, saving up to 6 gallons per shower.
- Seamless Showering**
 Automatically diverts flow to showerhead when hot water arrives for hands-free shower warm-ups.
- Eliminates Diverter Leaks**
 Thermostatically-triggered, positive action-shut-off stops hot water from existing tub spout while showering to save up to 5 gallons of hot water per shower.
- Reduces Flood Risk**
 Prevents unattended warm-ups from overflowing tub by reducing flow once hot water arrives.
- Multiple Mounting Options**
 Compatible with copper and galvanized pipes. Select from 1/2" Slip Fit, 1/2" NPT Threaded, and 3/4" NPT Threaded mounting options.



evolve™

SPECIFICATIONS

MODEL #	DESCRIPTION	MOUNTS	FINISH
EV3302	ShowerStart Express Tub and Shower System - Add Your Own Showerhead; single shipper box	Included*	Chrome, Brushed Nickel, Matte Black

Patent www.amconservation.com/patents
 Other U.S. and foreign patents pending.



189-2141-02-112025



1701 Charleston Regional Parkway, Suite A
 Charleston, SC 29492
 (843) 971-1414
www.AMConservation.com

ShowerStart® Express Tub and Shower System

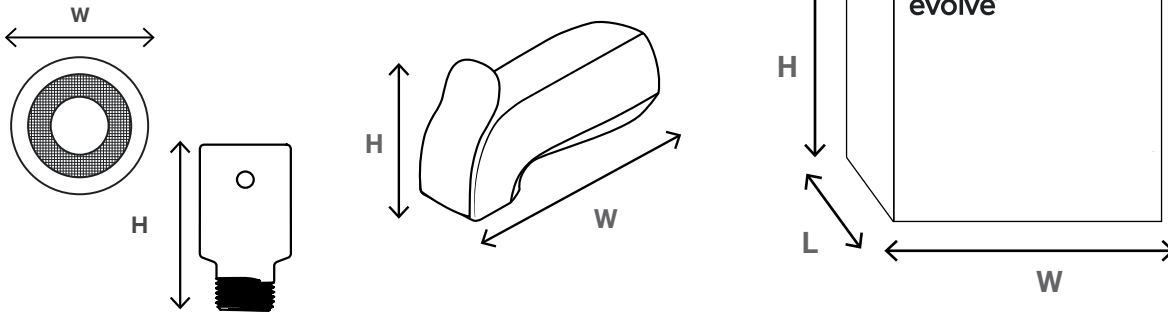
evolve™

Enjoy More. Use Less.™

Add Your Own Showerhead

EV3302

DIMENSIONS



PRODUCT

MODEL #	VALVE W	VALVE H	SPOUT W	SPOUT H
EV3302	2.125"	1.5"	3.125"	6.25"

CASE

MODEL #	L	W	H	CASE QTY.	GROSS WT.
EV3302	6.25"	11.6"	11.6"	9	9 lbs.

*Mounts included, see Tub Spout Mount Options Table.

TUB SPOUT MOUNT OPTIONS (Included)

MODEL #	DESCRIPTION	PIPE COMPATIBILITY	QUANTITY
EV3102	½" Slip Fit Mount	Copper, Galvanized	1
EV3103	½" NPT Threaded	Galvanized	1
EV3104	¾" NPT Threaded	Galvanized	1

TECHNICAL NOTES

The ShowerStart® Express Tub and Shower System is not an anti-scald device:

- Lower water heater to a maximum of 120° F (49° C).
- Always resume water flow and check water temperature before entering shower.
- Tankless systems require a minimum flow rate to produce hot water. When this product is used with some tankless systems, a brief, yet noticeable change in the shower's temperature may occur shortly after resuming the shower's normal flow.

3-YEAR LIMITED WARRANTY



AM Conservation warrants that this product is free from defects in material and workmanship for a period of 3 years from the date of the first purchase or the original distribution of the product under an energy conservation program, subject to the proper installation and/or use of the product. For full standard limited product warranty, please visit amconservation.com/warranties.

For warranty claims, please contact:
customercare@amconservation.com

To learn more, please visit:
www.AMConservation.com